

Slip Ring Capsules (Compact)

AC7212

Integrated slip ring capsule

Description

A slip ring can be used in any electromechanical system that requires unrestrained, continuous rotation while transferring power and data from a stationary to a rotating structure.

The AC7212 is a highly configurable product that integrates together our AC4598 or AC6200 series products by coupling any one of the following products in the center bore:

- AC6355
- AC6023
- AC7195
- AC7203
- AC7217
- AC7188

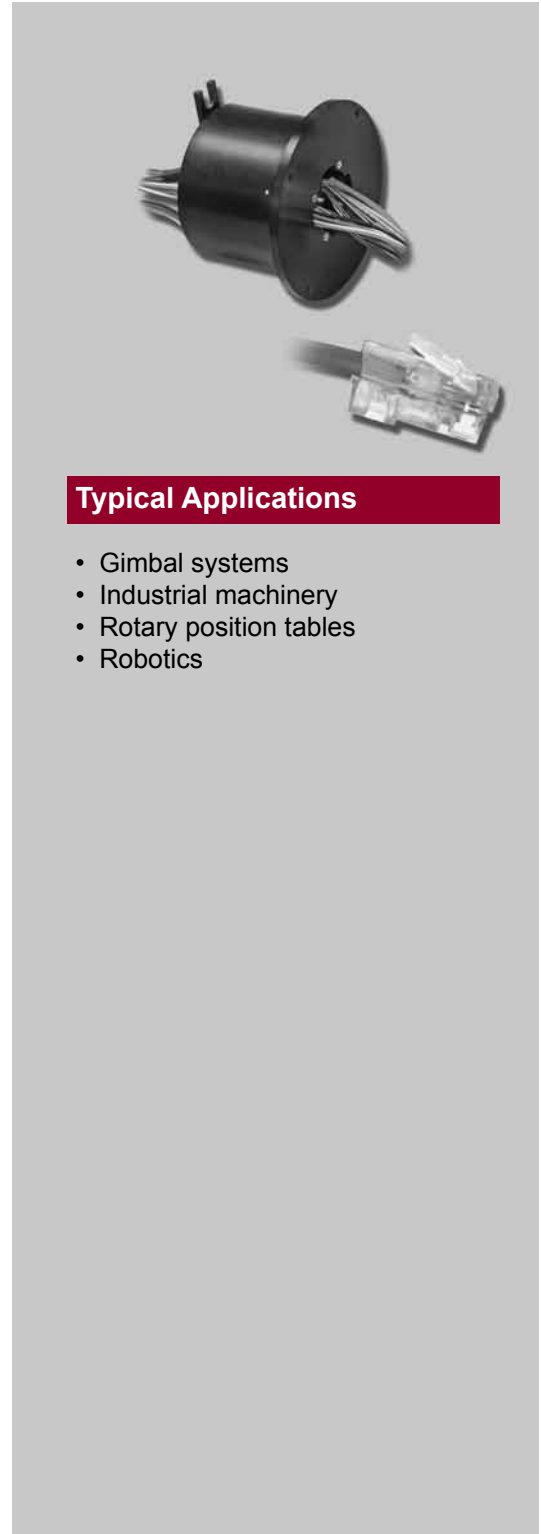
These combinations provide a wide range of circuit capabilities that can be determined from the respective product data sheets. A flange and de-rotation tab is attached to the outer AC4598 / AC6200 capsule for convenient mounting of the assembly.

Features

- Multiple circuit combinations
- Precious metal contacts
- Speeds to 150 RPM
- Sealing to dust and light fluid splash available
- Flange for easy installation

Benefits

- Isolation between power and signal circuits
- Compact package with high circuit density
- Assembled from existing components providing many possible configurations



Typical Applications

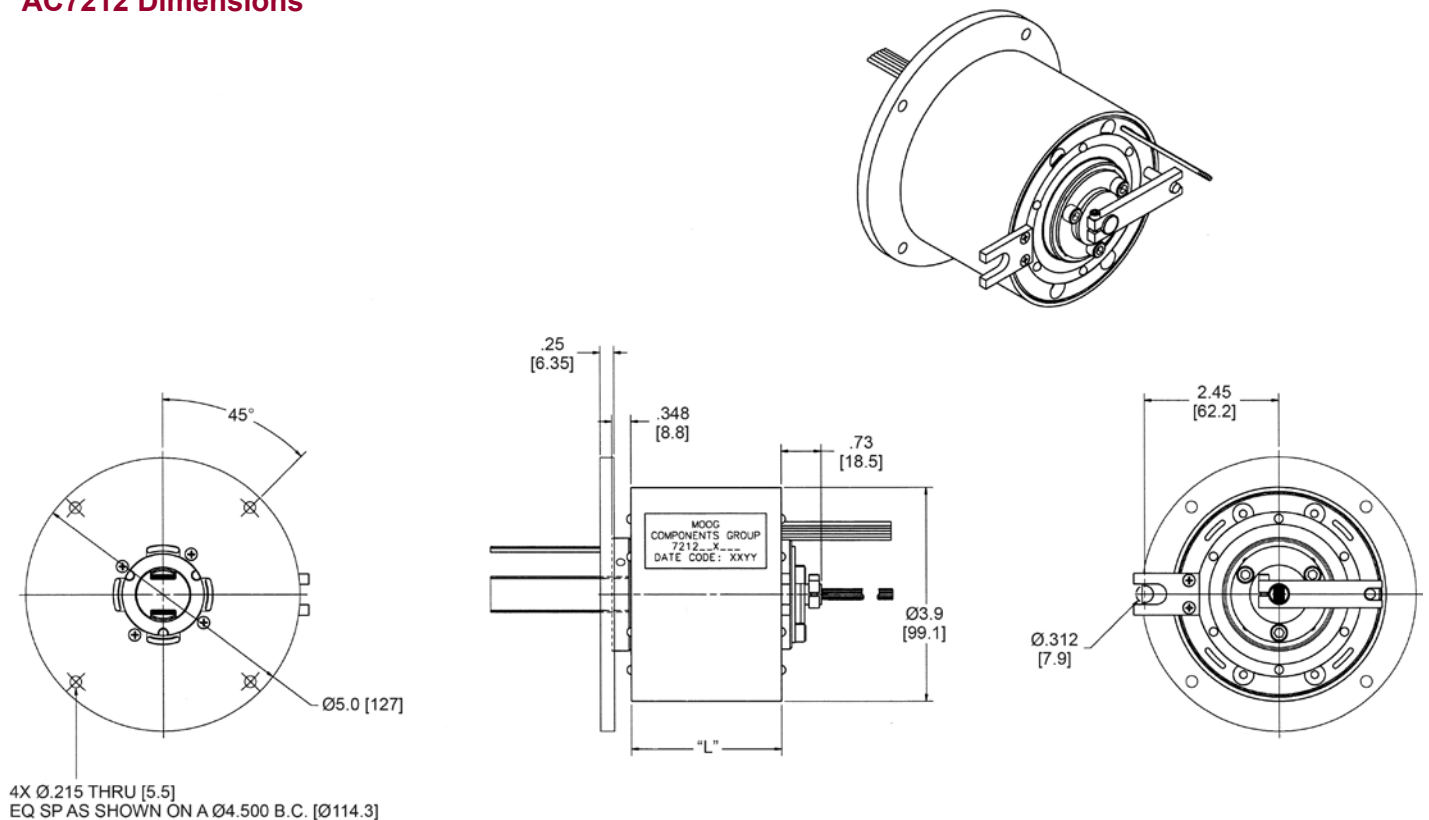
- Gimbal systems
- Industrial machinery
- Rotary position tables
- Robotics

Slip Ring Capsules (Compact)

AC7212 Specifications		Options
Operating Speed	150 rpm* continuous	<ul style="list-style-type: none"> Splash seals for dust and light fluid splash Variable lead lengths, see individual sheets for options
Circuit Options	Refer to AC4598 or AC6200 data sheets for outer capsule options and AC6355, AC6023, AC7195, AC7203, AC7188 data sheets for inner capsule options	
Voltage	Refer to individual product data sheets	
Temperature Range	-40°C to +80°C	
Contact Material	Precious metal	
Current Rating	Signal to 10 amps	

*Please note that the operational life of the unit is dependent upon rotational speed, environment and temperature.

AC7212 Dimensions



Dimensions in inches [mm]

To determine "L" dimension refer to AC4598 / AC6200 data sheet for length of the selected outer slip ring configuration