

SV4230TS

Servida Drive System Series SV4230TS

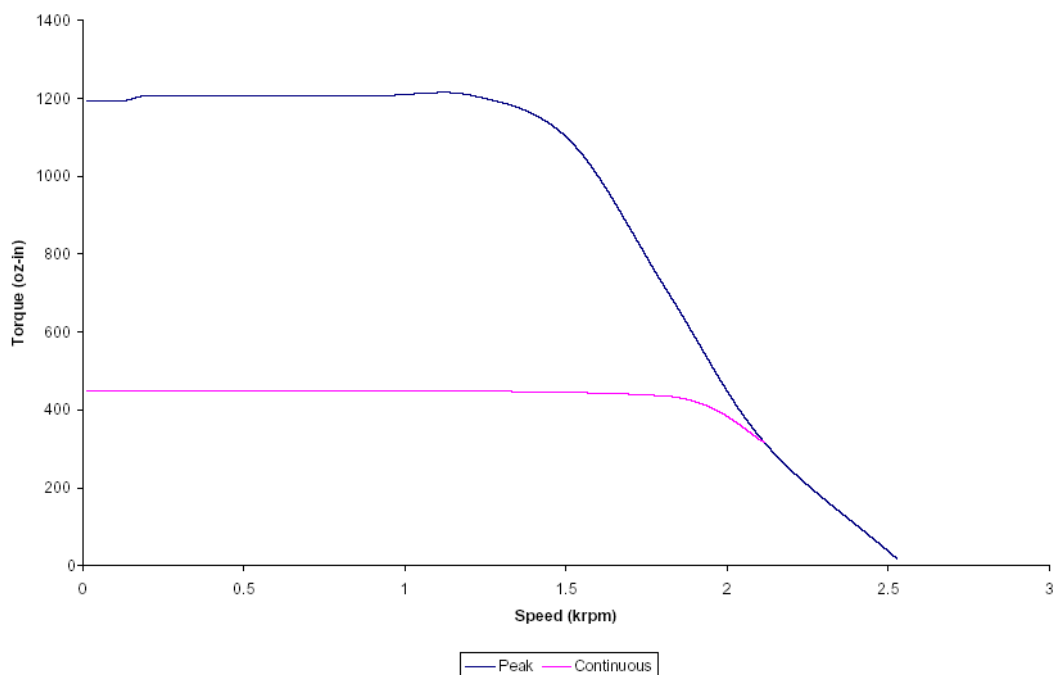
Motor Data

Power	kW	0.74
Voltage	VAC	110 - 240
Peak Torque	Nm	8.31
Continuous Torque	Nm	3.04
Top Speed	RPM	2500
Voltage Constant	V/kRPM	128
Torque Constant	Nm/amp	1.22
Rotor Inertia	10-5kg-m ²	38.45
Poles	.	4
Resistance	Ohm	3.7
Encoder Resolution	ppr	4000
Memory volatile	kRAM	32
Memory non volatile	kRAM	32
Servo Update	Hz	4069
PWM Frequency	kHz	33.3



Performance Curves

SM4230TS Troque vs. Speed
with 220Vac Tri-Phase supply



SV4230TS

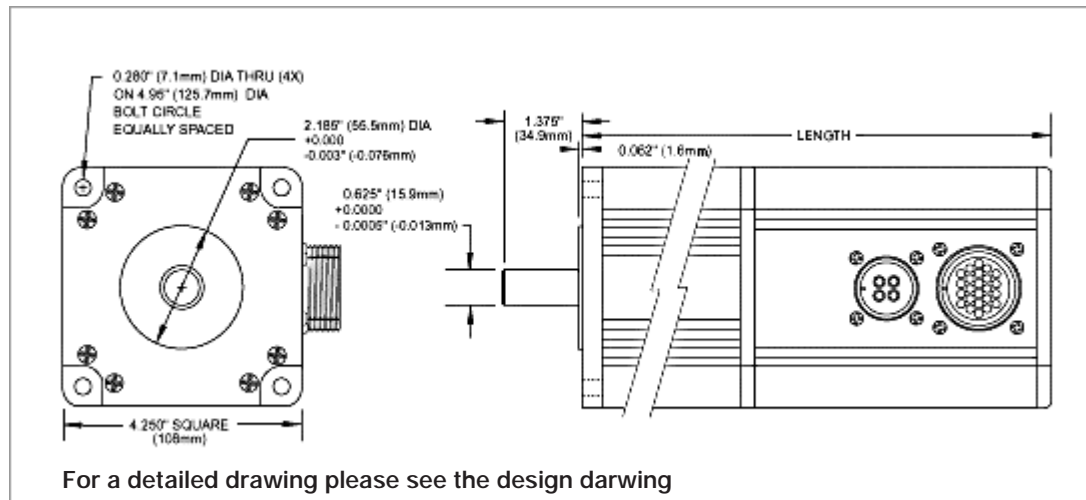
Interfaces

Communication - Standard			
Primary	Type	RS232; serial (ASCII)	
	Speed	kBaud	2.4 - 38.4
Secondary	Type	RS485; serial (ASCII)	
Optional			
-----		-----	

Input / Output			
Type	7 (5VDC TTL)		
Input	Digital	+5V TTL sink	
	Analog	sink, 10 Bit	
Output	Sourcing	mA	5
	Sinking	mA	10

Mechanical Data

Length	mm	386
Width	mm	108
Weight	kg	14.51
Radial Load	kg	11.3
Axial Load	kg	4.4
Operating Temperature	°C	0 - 70
Storage Temperature	°C	-20 - 85
Humidity	%	0 - 80



Contact:

Peromatic GmbH

Gubelstrasse 28
CH-8050 Zürich

Fon +41-(0)43 300 60 60
Fax +41-(0)43 300 60 79

info@peromatic.ch
www.peromatic.ch

Peromatic GmbH

rue Confédération 29
CH-2300 La Chaux-de-Fonds

Fon +41-(0)32 927 37 20
Fax +41-(0)32 927 37 22