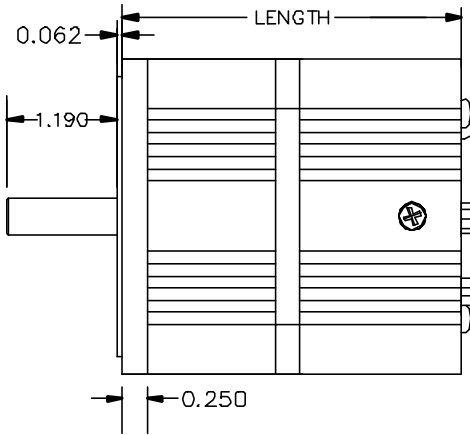
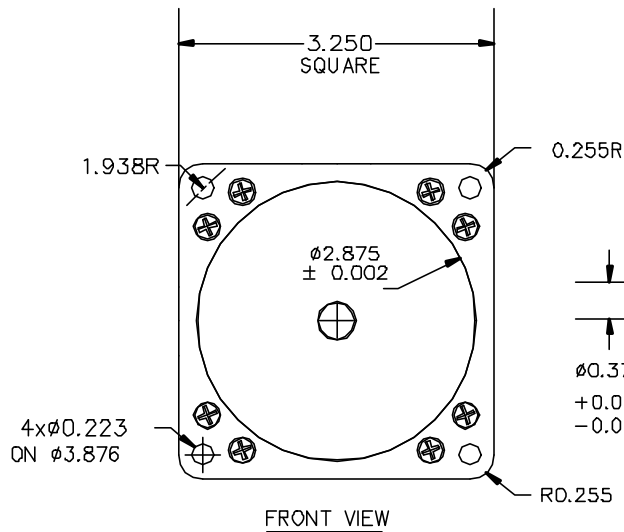


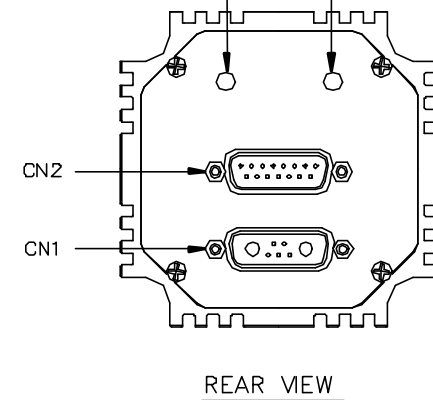
- NOTES: 1) TIED INTERNALLY: TX : CN2 PIN 10 TO CN1 PIN 3
 RX : CN2 PIN 11 TO CN1 PIN 4
 2) TIED INTERNALLY: +5V : CN2 PIN 12 TO CN1 PIN 2
 GND : CN2 PIN 13, CN2 PIN 14 AND CN1 PIN 5 TIED TO CN1 PIN A2
 PWR : CN2 PIN 15 TO CN1 PIN A1
 3) FOR HIGH SPEED OR HIGH TORQUE OPERATION USE POWER
 PIN A1 AND A2 ON CN1.

MODEL	LENGTH
SV3410D	3.488
SV3420D	4.138
SV3430D	4.788
SV3440D	5.438
SV3450D	6.088



LED, TRAJECTORY
 CLEAR= NOT IN TRAJECTORY [DEFAULT STATE]
 GREEN= IN A CONTROLLED TRAJECTORY (MOTION)

LED, SERVO-AMPLIFIER
 RED=AMPLIFIER OFF [DEFAULT STATE]
 GREEN=AMPLIFIER ON OR SERVO-ING IN PLACE



DRAWING SCALE: 1:2

CN2: 15 PIN D-SUB FEMALE CONNECTOR					
PIN#	NAME	SOFTWARE SELECTABLE FUNCTIONS			
		SPECIAL FUNCTIONS	SPECIAL FUNCTIONS	DIGITAL I/O (TTL)	ANALOG INPUT (10 bit)
1	Port A	External Encoder A Input	Step Input	5V	0 to 5V
2	Port B	External Encoder B Input	Direction Input	5V	0 to 5V
3	Port C	Right Limit Input		5V	0 to 5V
4	Port D	Left Limit Input		5V	0 to 5V
5	Port E	AniLink Data	RS-485 Signal A	5V	0 to 5V
6	Port F	AniLink Clock	RS-485 Signal B	5V	0 to 5V
7	Port G	G-Synchronization Pin	RS-485 Adapter Flow Control Line	5V	0 to 5V
8	ENCA OUT	Encoder A Output	Peromatic GmbH Gubelstrasse 28 CH-8050 Zürich Fon +41-(0)43 300 60 60 Fax +41-(0)43 300 60 79 info@peromatic.ch www.peromatic.ch Peromatic GmbH rue Confédération 29 CH-2300 La Chaux-de-Fonds Fon +41-(0)32 927 37 20 Fax +41-(0)32 927 37 22		
9	ENCB OUT	Encoder B Output			
10	RS232 TX	RS232-Transmit			
11	RS232 RX	RS232-Receive			
12	+5V OUT	+5V Out			
13	GND	Signal Ground			
14	PWR GND	Power Ground			
15	POWER	Power, +24v to 48v			

CN1, 7 PIN COMBO D-SUB MALE CONNECTOR		
PIN#	NAME	FUNCTIONS
1	Part G	G-Synchronization Pin
2	+5V OUT	+5V Out (Note 2)
3	RS232 TX	RS232-Transmit
4	RS232 RX	RS232-Receive
5	GND	Signal Ground
A1	POWER	Power, +24v to 48v
A2	PWR GND	Power Ground

TITLE: SV34xxD Series	
REV: 2	MATERIAL:
DATE: 2/27/01	FINISH:
TOL: X.XXXX +/- .005 X.XXX +/- .005 INCHES X.XX +/- .01	SERVIDA
UNLESS OTHERWISE NOTED	