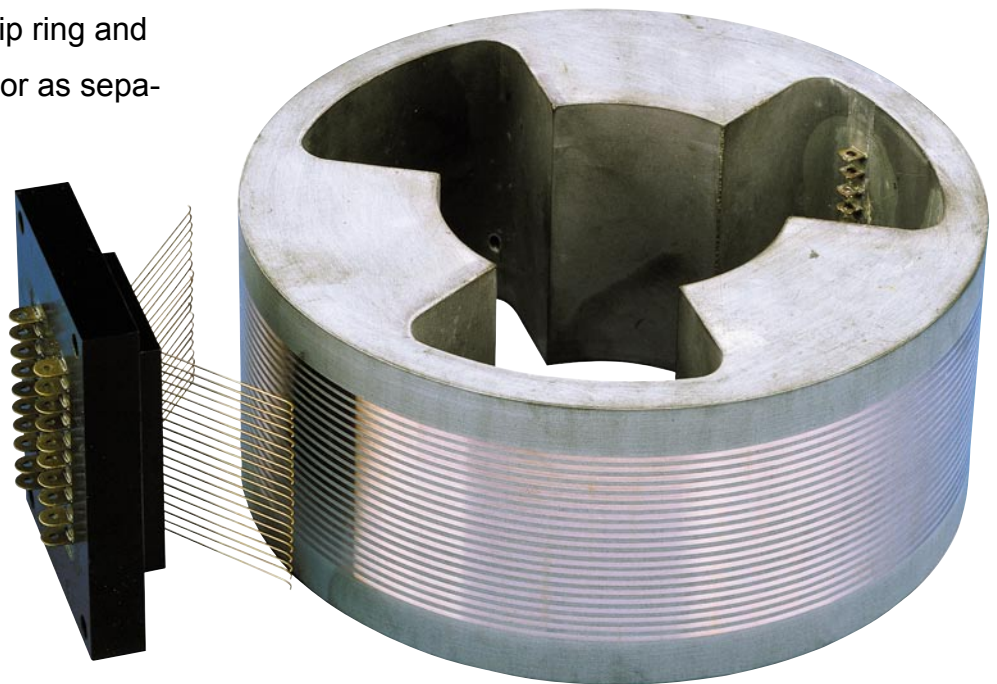


# Rs and Bs Series

Suitable for signal video and data transmission, the Rs and Bs Series slip ring's gold on gold technology ensures reliable, low noise signal transfer. Its low profile makes this unit suitable for space limited applications. This model is available in a range of bore sizes with 5, 10 and 20 circuits. Electrical signal slip ring and brush blocks are available in sets or as separate assemblies. Can be shaft or face mounted.

## TYPICAL USES INCLUDE:

- SIGNAL VIDEO AND DATA TRANSMISSION



**Kontakt: Schweiz und Fürstentum Liechtenstein**

**Peromatic GmbH**

Gubelstrasse 28  
rue Confédération 29  
info@peromatic.ch

CH-8050 Zürich  
CH-2300 La Chaux-de-Fonds  
www.peromatic.ch

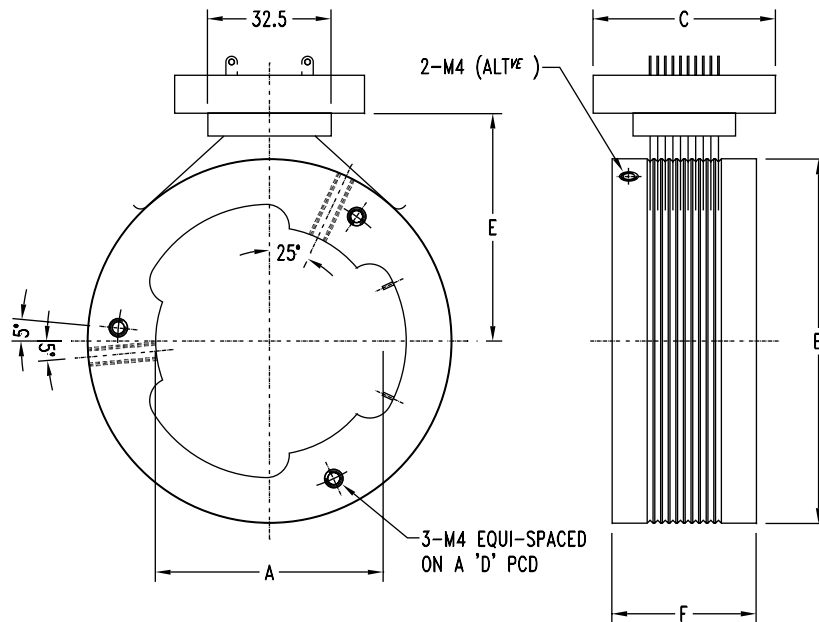
Fon +41-(0)43 300 60 60  
Fon +41-(0)32 927 37 20

Fax +41-(0)43 300 60 79  
Fax +41-(0)32 927 37 22

**MOOG**  
COMPONENTS GROUP

**MARINE & ENERGY | INDUSTRIAL | AEROSPACE & DEFENSE**

# Rs and Bs Series



Note: All measurements shown are in inches (mm). Specifications subject to change without notice.

<b>MAXIMUM CURRENT</b>	2 amps
<b>MAXIMUM VOLTAGE</b>	250 volts
<b>DIELECTRIC STRENGTH</b>	1000 volts 50Hz for 10 seconds
<b>INSULATION RESISTANCE</b>	>200M at 500 volts DC
<b>TEMPERATURE RANGE</b>	-20°C to +90°C
<b>MAXIMUM CONTACT SLIDING SPEED</b>	30 metres per minute
<b>TERMINALS</b>	Brush Block - Nickel silver Slip Ring - Copper, gold flashed
<b>MOUNTING</b>	Brush Block - M4 clearance hole Slip Ring - Shaft or face mounting

<b>SERIES PART NO.</b>	<b>A</b>	<b>B</b>	<b>C</b>	<b>D</b>	<b>E</b>	<b>F</b>	<b>WAYS</b>
RS/BS 205 80031-003/-004	15-30	46	38		40	28	5
RS/BS 210 80031-013/-014	15-30	46	48		40	38	10
RS/BS 220 80031-023/-024	15-30	46	68		40	58	20
RS/BS 305 80032-003/-004	30-65	96	38	80	60	28	5
RS/BS 310 80032-013/-014	30-65	96	48	80	60	38	10
RS/BS 320 80032-023/-024	30-65	96	68	80	60	58	20
RS/BS 405 80033-003/-004	65-100	136	38	115	80	28	5
RS/BS 410 80033-013/-014	65-100	136	48	115	80	38	10
RS/BS 420 80033-023/-024	65-100	136	68	115	80	58	20
RS/BS 505 80034-003/-004	100-150	182	38	165	101.5	28	5
RS/BS 510 80034-013/-014	100-150	182	48	165	101.5	38	10
RS/BS 520 80034-023/-024	100-150	182	68	165	101.5	58	20
RS/BS 605 80035-003/-004	150-200	236	38	220	128	28	5
RS/BS 610 80035-013/-014	150-200	236	48	220	128	38	10
RS/BS 620 80035-023/-024	150-200	236	68	220	128	58	20
RS/BS 705 80036-003/-004	200-240	280	38	260	150	28	5
RS/BS 710 80036-013/-014	200-240	280	48	260	150	38	10
RS/BS 720 80036-023/-024	200-240	280	68	260	150	58	20
RS/BS 805 80037-003/-004	240-280	320	38	300	170	28	5
RS/BS 810 80037-013/-014	240-280	320	48	300	170	38	10
RS/BS 820 80037-023/-024	240-280	320	68	300	170	58	20

Manufactured in an ISO 9000-2000 registered facility.

10/05