

# Rp and Bp Series

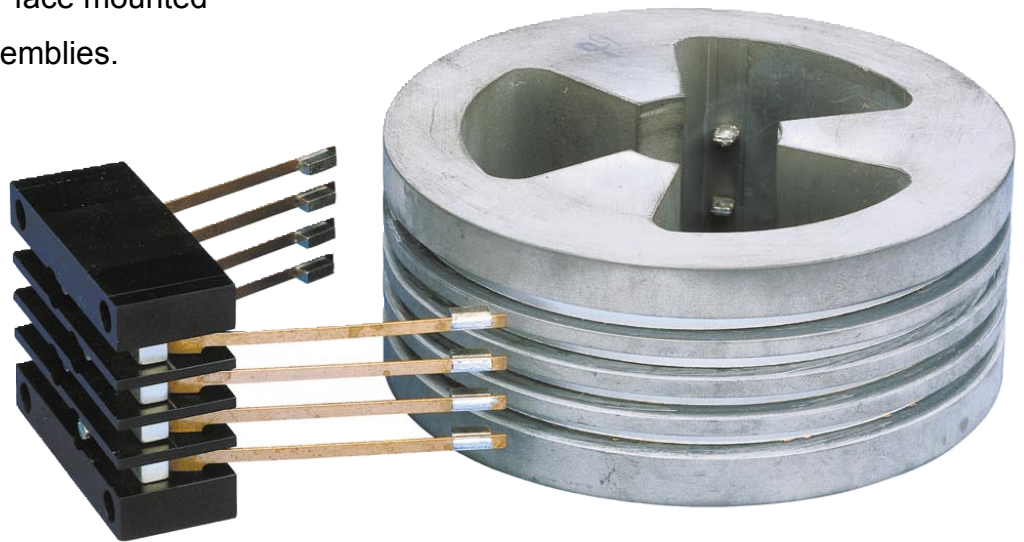
Designed for medium level power transmission, the Rp and Bp Series delivers reliable performance for applications requiring a maximum current of 10 amps. Durable hard silver rings and silver composite brush tips ensure a long life.

The series is available shaft or face mounted and in sets or as separate assemblies.

The Rp and Bp Series can be supplied in a range of bore sizes with 4 or 10 circuits.

## TYPICAL USES INCLUDE:

- WIND POWER
- TURBINES
- POWER STATION APPLICATIONS



**Kontakt: Schweiz und Fürstentum Liechtenstein**

**Peromatic GmbH**

Gubelstrasse 28  
rue Confédération 29  
info@peromatic.ch

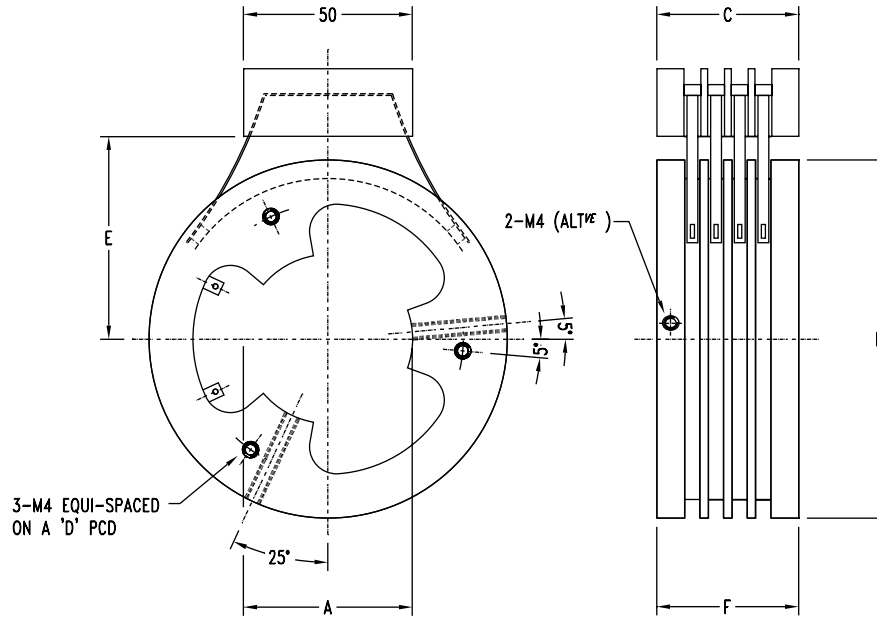
CH-8050 Zürich  
CH-2300 La Chaux-de-Fonds  
www.peromatic.ch

Fon +41-(0)43 300 60 60  
Fon +41-(0)32 927 37 20

Fax +41-(0)43 300 60 79  
Fax +41-(0)32 927 37 22

**MOOG**  
COMPONENTS GROUP

# Rp and Bp Series



Note: All measurements shown are in inches (mm). Specifications subject to change without notice.

<b>MAXIMUM CURRENT</b>	10 amps
<b>MAXIMUM VOLTAGE</b>	500 volts
<b>DIELECTRIC STRENGTH</b>	1000 volts 50Hz for 10 seconds
<b>INSULATION RESISTANCE</b>	>200M at 750 volts DC
<b>TEMPERATURE RANGE</b>	-20°C to +90°C
<b>MAXIMUM CONTACT SLIDING SPEED</b>	4 metres per second
<b>TERMINALS</b>	Brush Block - M2 cheese head screws Slip Ring - Copper, silver flashed
<b>MOUNTING</b>	Brush Block - M4 clearance hole Slip Ring - M4 shaft or face mounting

SERIES	PART NO.	A	B	C	D	E	F	WAYS
RP/BP 104	80030-001/-002	5-15	40	42	34	42	4	4
RS/BS 110	80030-011/-012	5-15	40	82	34	84	10	10
RP/BP 204	80031-001/-002	15-30	56	42	40	42	4	4
RS/BS 210	80031-011/-012	15-30	56	82	40	84	10	10
RP/BP 304	80032-001/-002	30-65	106	42	80	60	42	4
RS/BS 310	80032-011/-012	30-65	106	82	80	60	84	10
RP/BP 404	80033-001/-002	65-100	146	42	115	80	42	4
RS/BS 410	80033-011/-012	65-100	146	82	115	80	84	10
RP/BP 504	80034-001/-002	100-150	192	42	165	101.5	42	4
RS/BS 510	80034-011/-012	100-150	192	82	165	101.5	84	10
RP/BP 604	80035-001/-002	150-200	246	42	220	128	42	4
RS/BS 610	80035-011/-012	150-200	246	82	220	128	84	10
RP/BP 704	80036-001/-002	200-240	290	42	260	150	42	4
RS/BS 710	80036-011/-012	200-240	290	82	260	150	84	10
RP/BP 804	80037-001/-002	240-280	330	42	300	170	42	4
RS/BS 810	80037-011/-012	240-280	330	82	300	170	84	10

Manufactured in an ISO 9000-2000 registered facility.

10/05