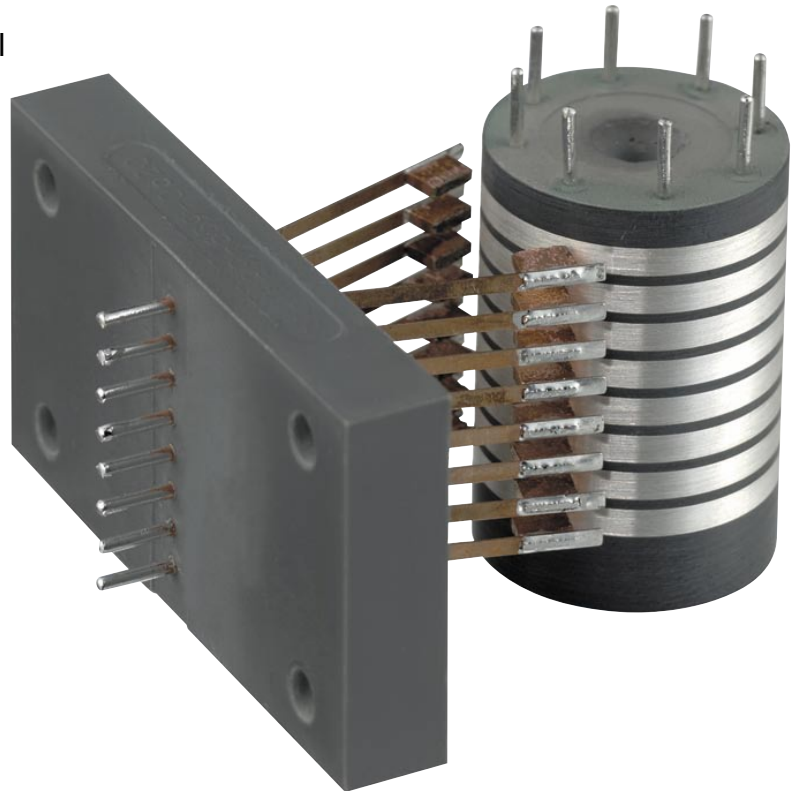


R and B Series

Suitable for use in military, industrial and laboratory applications the R and B Series' durable silver plated rings and silver composite brush tips deliver reliable performance and long life. Available in a range of sizes with 4, 8, 12 and 20 circuits, this model is shaft mounted. Available in sets and as separate assemblies.

TYPICAL USES INCLUDE:

- INDUSTRIAL MACHINE TOOL
- LABORATORY TESTING
- MILITARY RADAR TRACKING



Kontakt: Schweiz und Fürstentum Liechtenstein

Peromatic GmbH

Gubelstrasse 28
rue Confédération 29
info@peromatic.ch

CH-8050 Zürich
CH-2300 La Chaux-de-Fonds
www.peromatic.ch

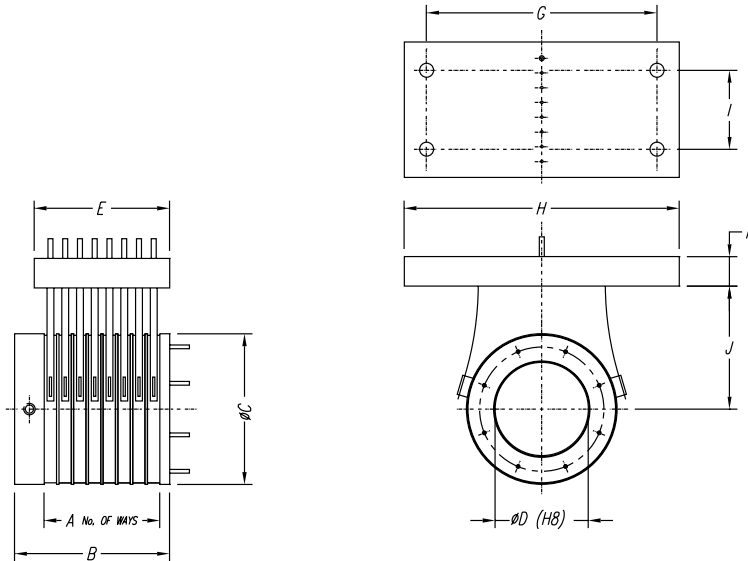
Fon +41-(0)43 300 60 60
Fon +41-(0)32 927 37 20

Fax +41-(0)43 300 60 79
Fax +41-(0)32 927 37 22

MOOG
COMPONENTS GROUP

MARINE & ENERGY | INDUSTRIAL | AEROSPACE & DEFENSE

R and B Series



Note: All measurements shown are in inches (mm). Specifications subject to change without notice.

MAXIMUM CURRENT	See K in table of dimensions
MAXIMUM VOLTAGE	50 volts
DIELECTRIC STRENGTH	200 volts 50Hz for 10 seconds
INSULATION RESISTANCE	>200MΩ at 500 volts DC
TEMPERATURE RANGE	-20°C to +90°C
MAXIMUM CONTACT SLIDING SPEED	6 metres per second
TERMINALS	Copper, silver flashed
MOUNTING	Brush Block - ø4 mm hole Slip Ring - Shaft mounting

SERIES NO.	PART NO.	A	B	C	D	E	F	G	H	I	J	K (AMPS)
R/B04-10	51340-041/051	4	22.0	25.4	6-16	18.9	9.5	45.3	59.6	9.5	25.4	3
R/B08-10	51340-042/052	8	25.4	25.4	6-16	32.9	9.5	45.3	59.6	22.2	25.4	3
R/B04-20	51340-045/055	4	30.9	48.5	16-32	24.6	9.5	76.2	88.5	12.7	39.6	7
R/B08-20	51340-046-056	8	50.0	48.5	16-32	43.6	9.5	76.2	88.5	25.4	39.6	7
R/B12-20	51340-047/057	12	69.0	48.5	16-32	62.6	11.1	76.2	88.5	50.8	39.6	7
R/B20-20	51340-048/058	20	107.0	48.5	16-32	100.5	11.1	76.2	88.5	76.2	39.6	7

Manufactured in an ISO 9000-2000 registered facility.

10/05