

PS Series

The PS Series is a packaged slip ring assembly. Available in a range of bore sizes, this shaft mounted model can accommodate 4 to 50 circuits. Its rugged, standardized design makes it quick and easy to install. For X type of applications, a sealed version of the PS Series is available (IP65).

TYPICAL USES INCLUDE:

- MACHINE TOOLS
- INSTRUMENTATION TEST EQUIPMENT



Kontakt: Schweiz und Fürstentum Liechtenstein

Peromatic GmbH

Gubelstrasse 28
rue Confédération 29
info@peromatic.ch

CH-8050 Zürich
CH-2300 La Chaux-de-Fonds
www.peromatic.ch

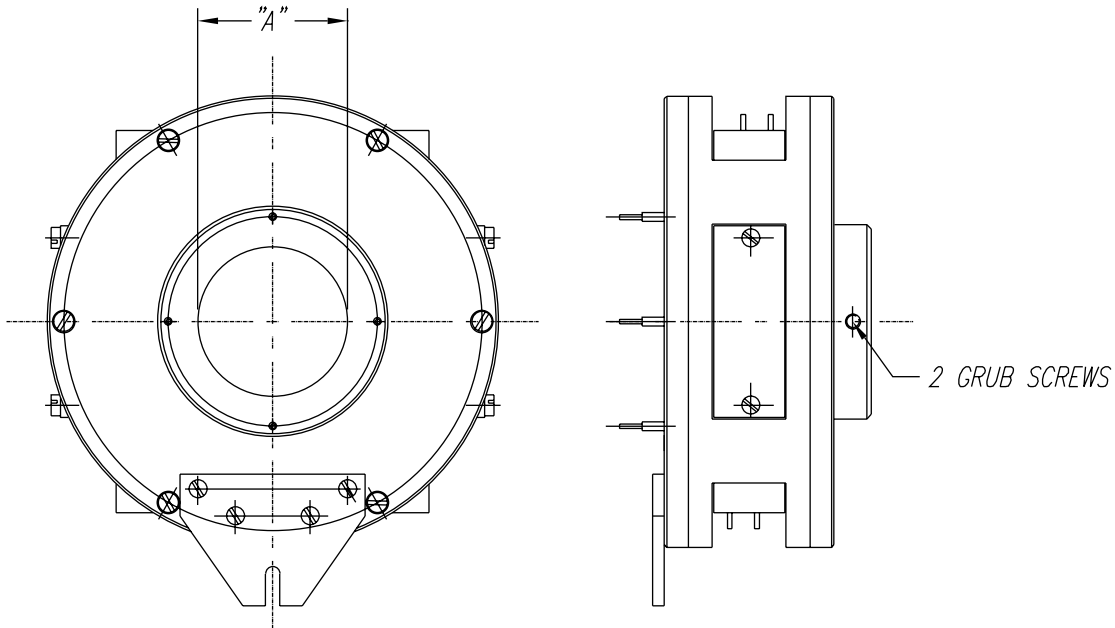
Fon +41-(0)43 300 60 60
Fon +41-(0)32 927 37 20

Fax +41-(0)43 300 60 79
Fax +41-(0)32 927 37 22

MOOG
COMPONENTS GROUP

MARINE & ENERGY | INDUSTRIAL | AEROSPACE & DEFENSE

PS Series



Note: All measurements shown are in inches (mm). Specifications subject to change without notice.

MAXIMUM CURRENT	PS4 & PS12 - 5 amps PS20 & PS30 - 10 amps
MAXIMUM VOLTAGE	250 volts
DIELECTRIC STRENGTH	500 volts 50Hz for 10 seconds
INSULATION RESISTANCE	>200MΩ at 500 volts DC
TEMPERATURE RANGE	-20°C to +90°C
MAXIMUM CONTACT SLIDING SPEED	4 metres per second
TERMINALS	Copper tinned
MOUNTING	Shaft mounted

SERIES NO.	PART NO.	NO. OF CIRCUITS	DIM 'A'
PS4	822**-950	4-50	8.5-16
PS12	823**-950	4-50	16-32
PS20	824**-950	4-50	25-50
PS30	825**-950	4-50	50-75

Manufactured in an ISO 9000-2000 registered facility.

10/05