

Slip Rings

P Series

Compact Slip Rings

Description

The P Series slip rings are compact, cost effective, mercury free slip rings designed for industrial manufacturing. The P2 has two rings, each able to carry 7 amps. The P4 has two rings rated at 7 amps and two at 2 amps. All are fully ball raced and suitable for mounting in any orientation. The P2+ and P4+ are capable of conducting 14 amps through the power circuits and in the case of the P4+, 2 amps through the 2 signal circuits. These units are ideal for applications where currents are increased due to lower distribution voltage. They are also perfect for use in the food industry. The P8 Lite is capable of carrying 14 amps on each of the 8 rings. All P Series units feature gold slip rings and gold alloy brushes. Standard spade terminals or flying leads allow rapid installation.

Features

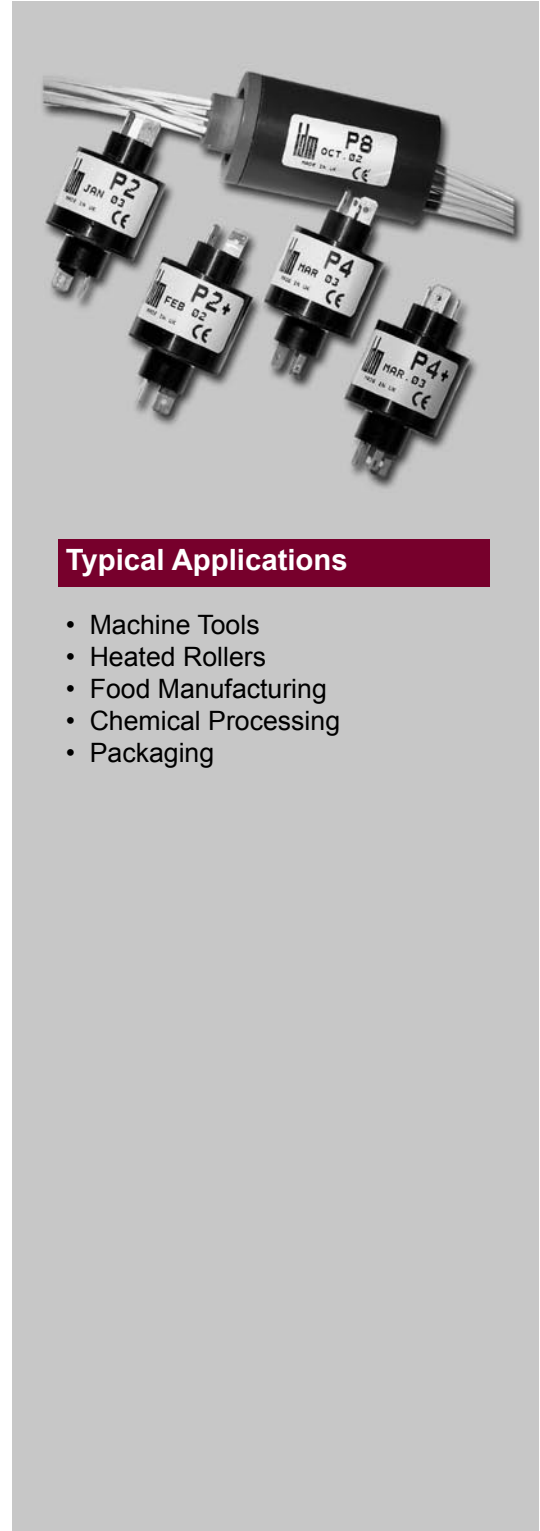
- Mercury free
- Reliable rotational connections for power, signal and data transmission
- Speeds from 100 to 600 rpm
- Fast on spade terminals or flying leads
- CE marked

Benefits

- Compact and robust design
- Designed for low cost
- Gold slip rings and gold alloy brushes for high reliability
- Mount in any orientation

Over 6,000 designs

That's how many slip rings we've designed, so if this one's not right for your application, call us and tell us your specifications.



Typical Applications

- Machine Tools
- Heated Rollers
- Food Manufacturing
- Chemical Processing
- Packaging

Kontakt: Schweiz und Fürstentum Liechtenstein

Peromatic GmbH

Gubelstrasse 28
rue Confédération 29
info@peromatic.ch

CH-8050 Zürich
CH-2300 La Chaux-de-Fonds
www.peromatic.ch

Fon +41-(0)43 300 60 60
Fon +41-(0)32 927 37 20

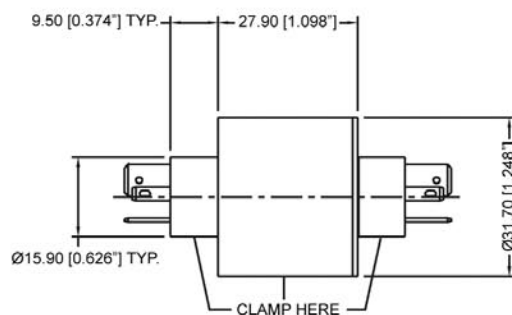
Fax +41-(0)43 300 60 79
Fax +41-(0)32 927 37 22

MOOG
COMPONENTS GROUP

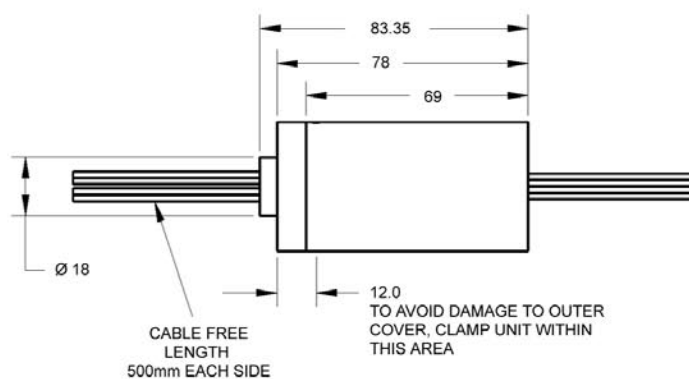
Specifications

	P2	P4	P2+	P4+	P8 Lite
Part Number	80050-957	80050-958	80050-956	80050-955	80059-950
Power Circuits	2 @ 7 amps	2 @ 7 amps	2 @ 14 amps	2 @ 14 amps	8 @ 14 amps
Signal Circuits	-	2 @ 2 amps	-	2 @ 2 amps	-
Maximum Voltage	240	240	240	240	240
Dielectric Strength	500 volts 50 Hz for 10 seconds	500 volts 50 Hz for 10 seconds	500 volts 50 Hz for 10 seconds	500 volts 50 Hz for 10 seconds	500 volts 50 Hz for 10 seconds
Insulation Resistance	>200 MOhms at 500 volts DC	>200 MOhms at 500 volts DC	>200 MOhms at 500 volts DC	>200 MOhms at 500 volts DC	>200 MOhms at 500 volts DC
Temperature Range	-20°C to +90°C	-20°C to +90°C	-20°C to +90°C	-20°C to +90°C	-20°C to +80°C
Maximum Speed	400 rpm	400 rpm	400 rpm	400 rpm	600 rpm
Terminals Power	0.8 x 6.35	0.8 x 6.35 0.8 x 2.80	0.8 x 6.35	0.8 x 6.35 0.8 x 2.80	ETFE Flying Leads Power 16 AWG [PARA]
Mounting	As Shown On Drawing				
Sealing	-	-	-	-	IP22

P Series Dimensions



P2, P2+, P4, P4+ SERIES



P8 LITE SERIES

Dimensions in mm [inches]

Specifications and information are subject to change without prior notice.
© 2005 Moog Inc. MS1069 10/05

MOOG
COMPONENTS GROUP