

Endura-Trac™ M Series

The Endura-Trac™ Series of slip ring assemblies were developed for a wide variety of applications and environments. The M-Series is an ideal choice for limited space applications. As many as 120 separate circuits are accommodated in a 2.7 inch diameter OD envelope and in less than 5.50 inches long.

These slip ring assemblies are a quick turn solution for your application. Off the shelf components allow for a delivery which meets your needs.

TYPICAL USES

- AUTOMATION EQUIPMENT
- SURVEILLANCE EQUIPMENT
- INSPECTION EQUIPMENT



Kontakt: Schweiz und Fürstentum Liechtenstein

Peromatic GmbH

Gubelstrasse 28
rue Confédération 29
info@peromatic.ch

CH-8050 Zürich
CH-2300 La Chaux-de-Fonds
www.peromatic.ch

Fon +41-(0)43 300 60 60
Fon +41-(0)32 927 37 20

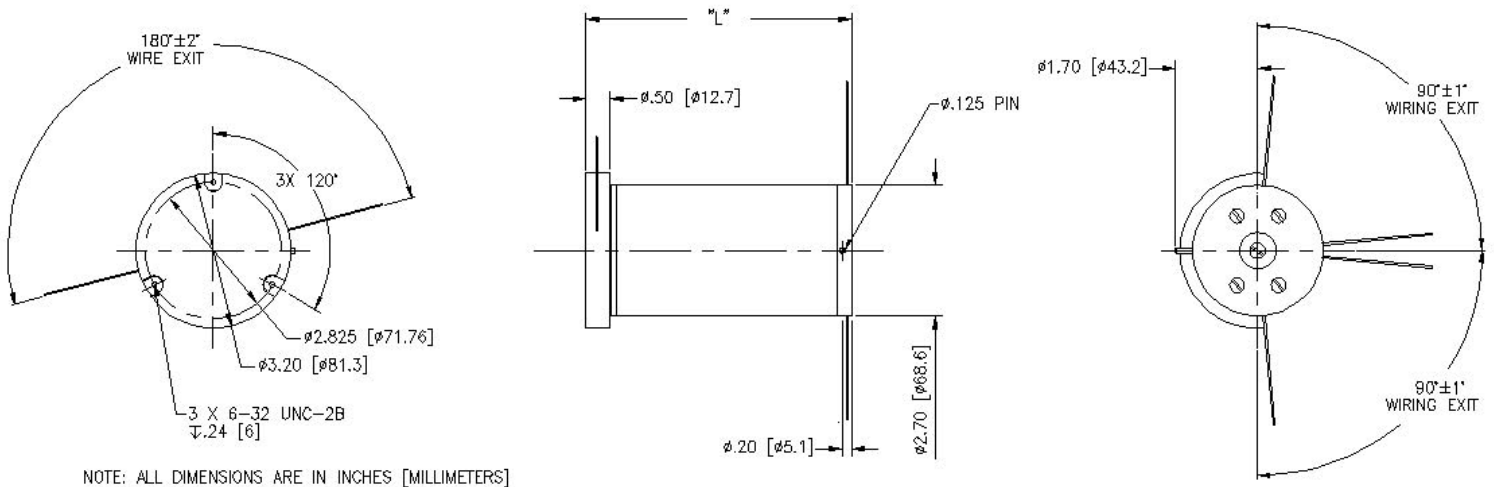
Fax +41-(0)43 300 60 79
Fax +41-(0)32 927 37 22

MOOG
COMPONENTS GROUP

MARINE & ENERGY | INDUSTRIAL | AEROSPACE & DEFENSE

Endura-Trac™

M Series



- CIRCUITS** Up to 120 circuits: 2 A /60 volts
- MAXIMUM SPEED** 1000 RPM
- TERMINALS** #26 AWG flying leads
- MOUNTING** Flange mounting
- OPTIONS**
 - Longer leads
 - Special wiring
 - Fiber optic rotary joint
 - High voltage option to 120 V

Number of Circuits	"L"
40	2.80
80	4.15
120	5.50

Manufactured in an ISO 9001-2000 registered facility.

10/05