

Slip Rings With Through-Bores

AC6428

1 3/8 inch through bore in 60, 72, 84 and 92, 2 amp circuit versions

AC6429

1-3/8 inch through bore in 48, 2 amp circuits and 6 or 12, 10 amp circuits

Description

A slip ring capsule can be used in any electromechanical system that requires unrestrained, intermittent, or continuous rotation while transferring power and / or data. A slip ring is also called a rotary electrical joint, collector, commutator, or swivel. A slip ring can improve system performance by simplifying operations and eliminating damage prone wires.

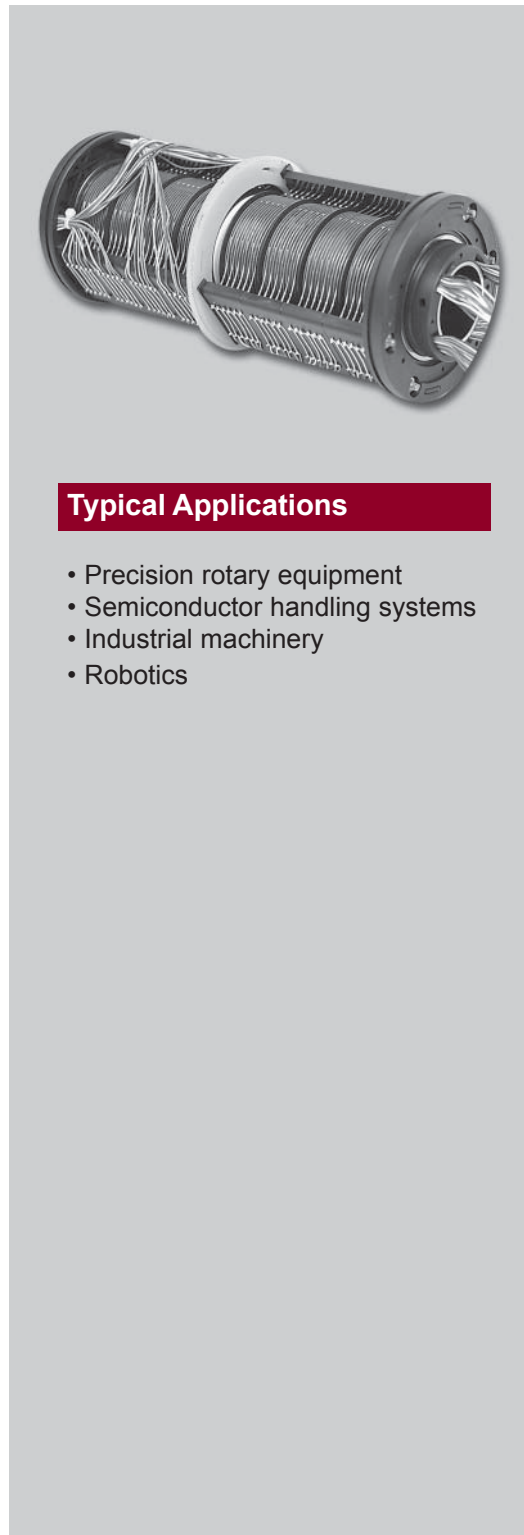
The AC6428 and AC6429 provide an economical, readily available solution when a compact, through bore configuration is required. This unit provides a 1-3/8 inch through bore for routing of hydraulic or pneumatic lines, and a compact 3.9 inch outside diameter for minimal space applications. The AC6428 provides 2 amp circuits in 60, 72, 84 and 96 ring configurations. The AC6429 provide 48, 2 amp rings coupled with either 6 or 12, 10-amp circuits. Similar in design to our very popular AC4598 and AC6200 series, this design features long life, fiber brush contact technology for ultimate performance in many challenging applications.

Features

- 1-3/8 inch through bore
- Speeds up to 250 rpm continuous
- Multiple circuit configurations
- Continuous rotation of power and / or data signals
- High-impact thermoplastic construction
- Sealed to dust and light fluid splash

Benefits

- Transfers power, as well as analog and digital signals
- Compatible with data bus protocols
- Fiber brush technology provides long life and maintenance free operation
- Compact packaging



Typical Applications

- Precision rotary equipment
- Semiconductor handling systems
- Industrial machinery
- Robotics

Kontakt: Schweiz und Fürstentum Liechtenstein

Peromatic GmbH

Gubelstrasse 28
rue Confédération 29
info@peromatic.ch

CH-8050 Zürich
CH-2300 La Chaux-de-Fonds
www.peromatic.ch

Fon +41-(0)43 300 60 60
Fon +41-(0)32 927 37 20

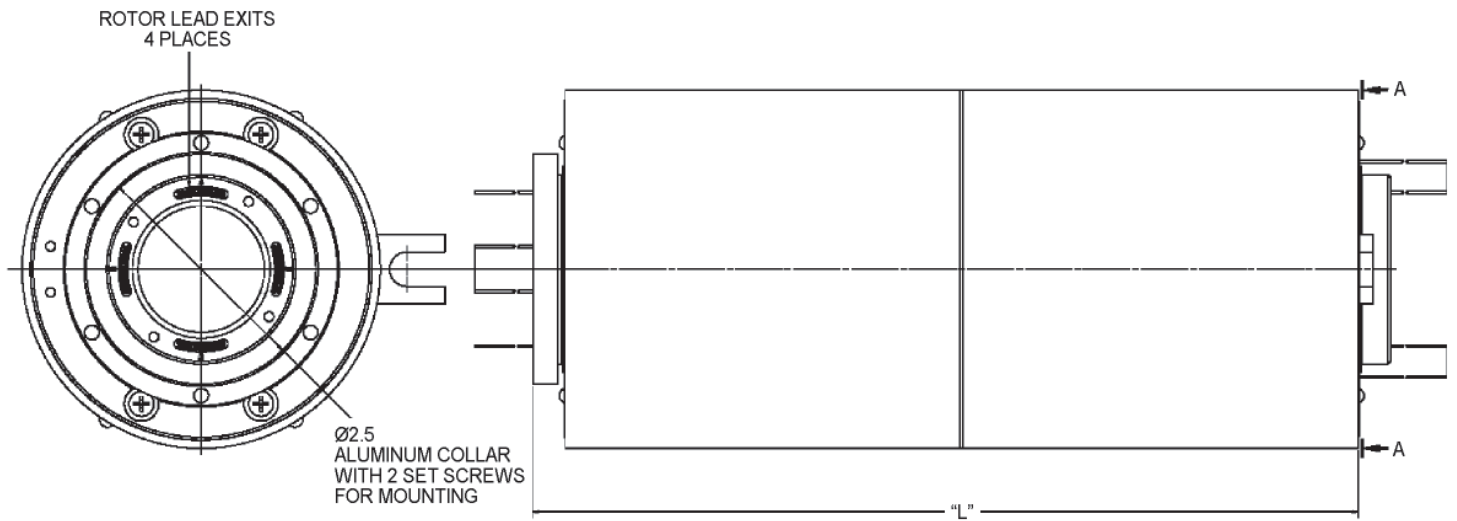
Fax +41-(0)43 300 60 79
Fax +41-(0)32 927 37 22

Slip Rings With Through-Bores

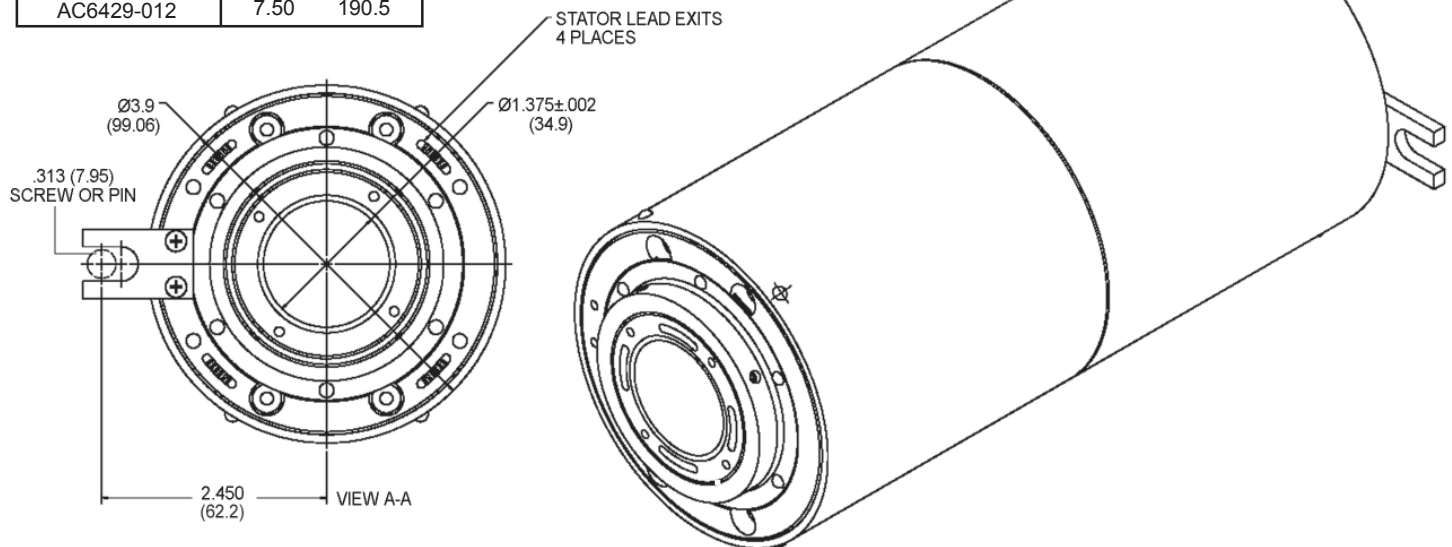
Specifications	AC6428	AC6429
Operating Speed	250 rpm	250 rpm
Number of Circuits	60, 72, 84, 96	48 @ 2 amp PLUS 6 or 12 @ 10 amp
Lead Lengths	40 inches (1000 mm)	40 inches (1000 mm)
Voltage	220 VRMS	220 VRMS, 2 amp; 460 VRMS 10 amp
Current Ratings	2 amps / circuits	10 amp and 2 amps / circuit
Lead Size / Type	26 AWG	26 AWG, 2 amp circuits 16 AWG, 10 amp
Operating Temp.	80° C	80° C
Noise	Less than 60 milliohms peak-to-peak	

*Please note that the operational life of the unit is dependent upon rotational speed, environment and temperature.

Optional Gold Rings Available



MODEL	"L"	
	in.	mm.
AC6428-60	6.60	167.7
AC6428-72	7.50	190.5
AC6428-84	8.45	215.0
AC6428-96	9.40	239.0
AC6429-006	7.50	190.5
AC6429-012	7.50	190.5



Dimensions in inches (mm)