

Slip Rings With Through-Bores

AC6231

High Speed Through-bore Capsule

Description

A slip ring capsule can be used in any electromechanical system that requires unrestrained, intermittent, or continuous rotation while transferring power and / or data. A slip ring is also called a rotary electrical joint, collector, commutator, or swivel. A slip ring can improve system performance by simplifying operations and eliminating damage prone wires.

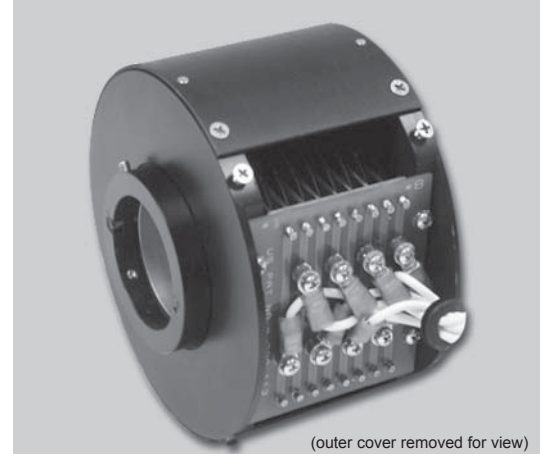
The AC6231 provides a high performance solution when a through bore configuration with high-speed operation is required. This unit provides a 1-1/2 inch through-bore for shaft mounting and a compact 4.25 inch outside diameter and very short overall length for minimal space applications. The AC6231 provides eight 15 Amp circuits. Similar in design to our very popular AC4598 and AC6200 series, this design features long life, fiber brush contact technology for ultimate performance in many challenging applications. Brush blocks are easily replaceable for extended life.

Features

- 1-1/2 inch through-bore
- Compact 4.25 inch outside diameter
- Speeds up to 2500 rpm continuous
- Transfers power, as well as analog and digital signals
- Rugged anodized aluminum construction

Benefits

- Compatible with data bus protocols
- Fiber brush technology provides long life and operation
- Compact packaging
- Ease of installation



Typical Applications

- Precision rotary equipment
- High speed testing
- Semiconductor handling systems
- Industrial machinery
- Robotics

Kontakt: Schweiz und Fürstentum Liechtenstein

Peromatic GmbH

Gubelstrasse 28
rue Confédération 29
info@peromatic.ch

CH-8050 Zürich
CH-2300 La Chaux-de-Fonds
www.peromatic.ch

Fon +41-(0)43 300 60 60
Fon +41-(0)32 927 37 20

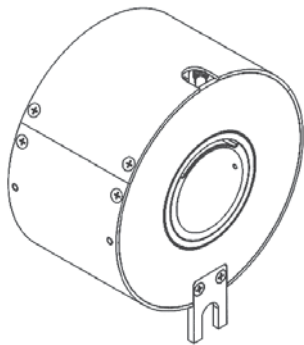
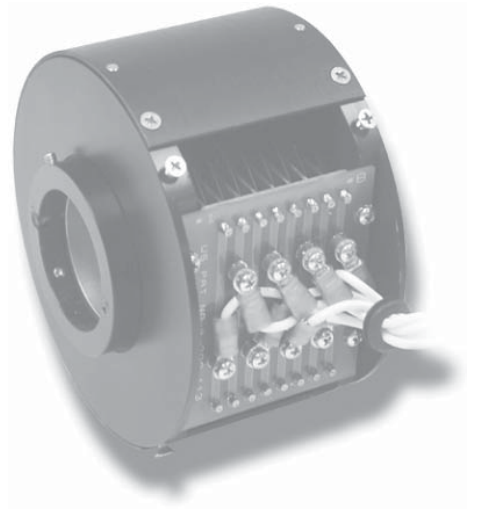
Fax +41-(0)43 300 60 79
Fax +41-(0)32 927 37 22

Slip Rings With Through-Bores

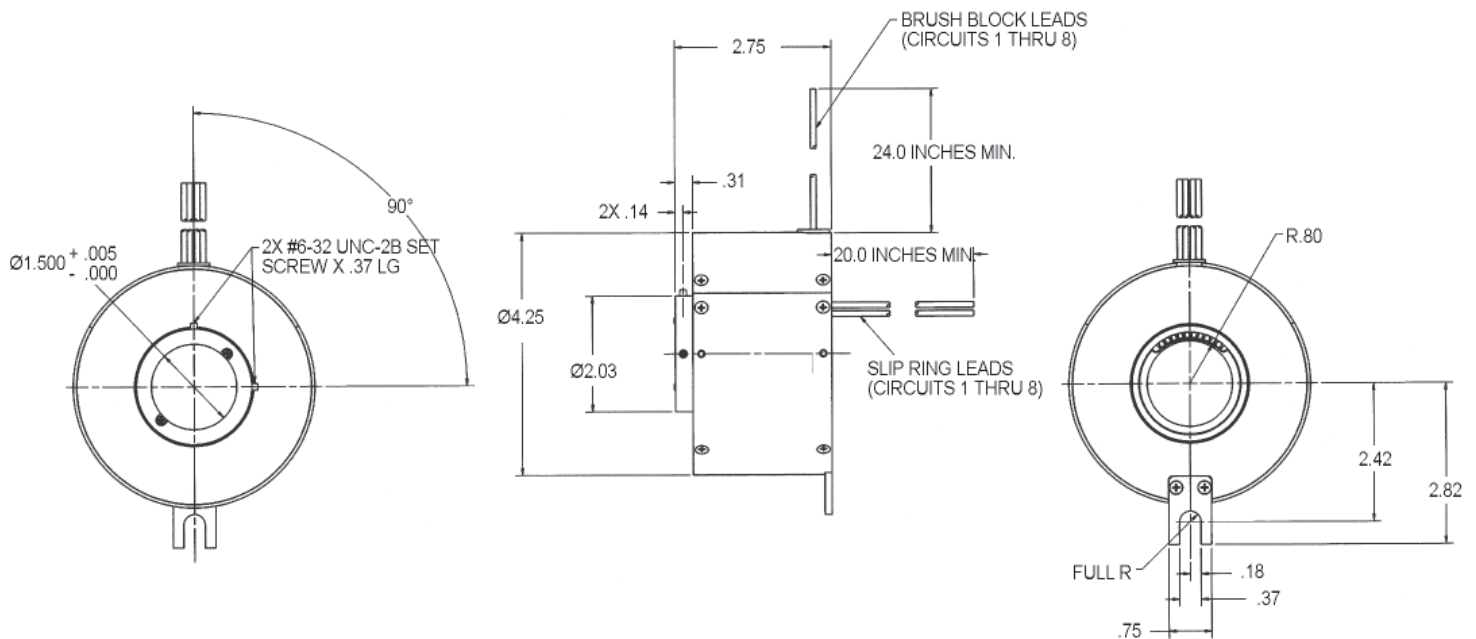
Specifications

Operating Speed	2500 rpm*
Number of Circuits	8
Lead Lengths	20" rotor, 24" stator
Voltage	220 VRMS
Current Rating	15 amps / circuit
Lead Size / Type	14 AWG, strand (19/27) strand, UL 1213 white
Operating Temp.	80°C
Noise	Less than 60 milliohms peak-to-peak

*Please note that the operational life of the unit is dependent upon rotational speed, environment and temperature.



VIEW SHOWN WITHOUT LEADS AND GROMMET



Kontakt: Schweiz und Fürstentum Liechtenstein

Peromatic GmbH

Gubelstrasse 28 CH-8050 Zürich
 rue Confédération 29 CH-2300 La Chaux-de-Fonds
 info@peromatic.ch www.peromatic.ch

Fon +41-(0)43 300 60 60 Fax +41-(0)43 300 60 79
 Fon +41-(0)32 927 37 20 Fax +41-(0)32 927 37 22